


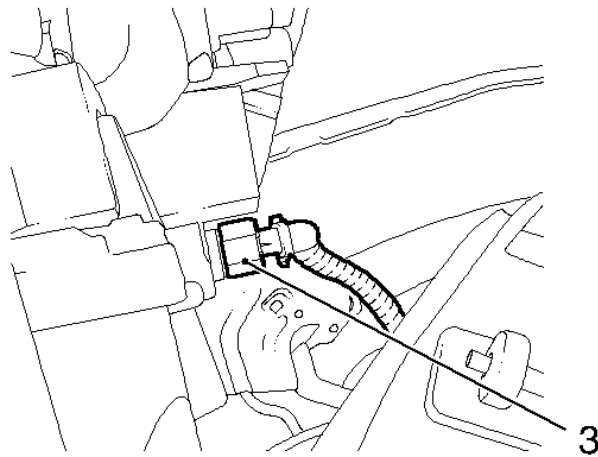
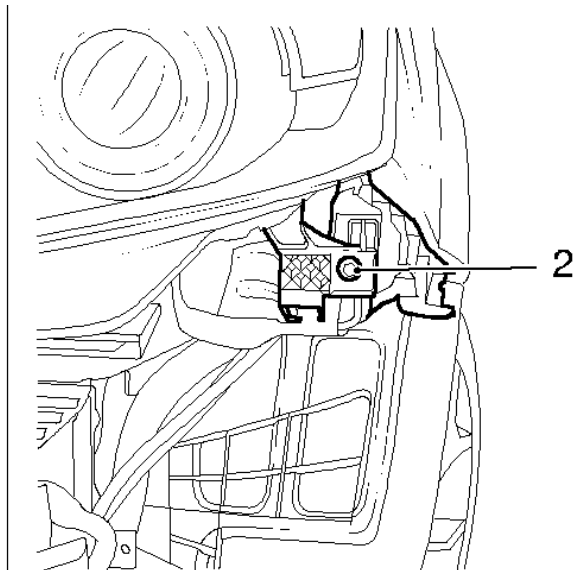
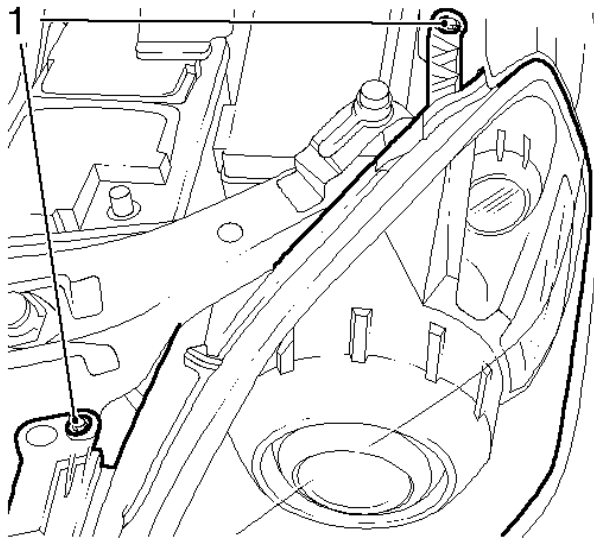
Replace headlamp brackets

N102105



Remove

1. Remove front panelling 
2. Remove headlamp
 - Unscrew 3x screws (1) and (2)
 - Release wiring harness plug (3) and disconnect

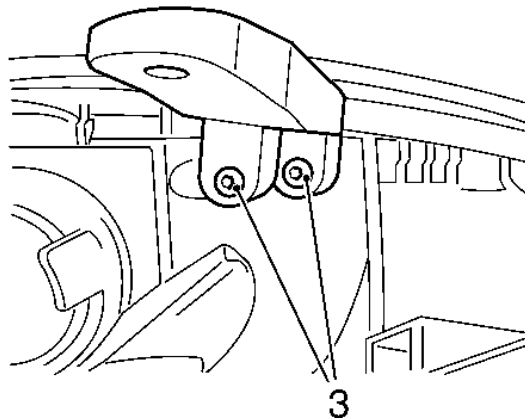
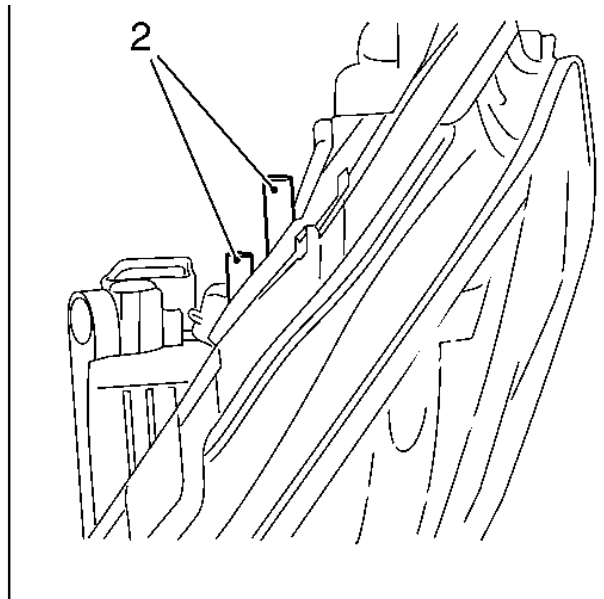
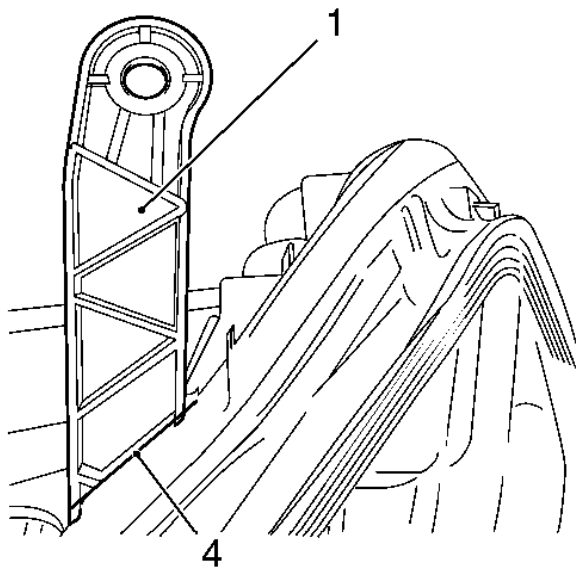


L0017603



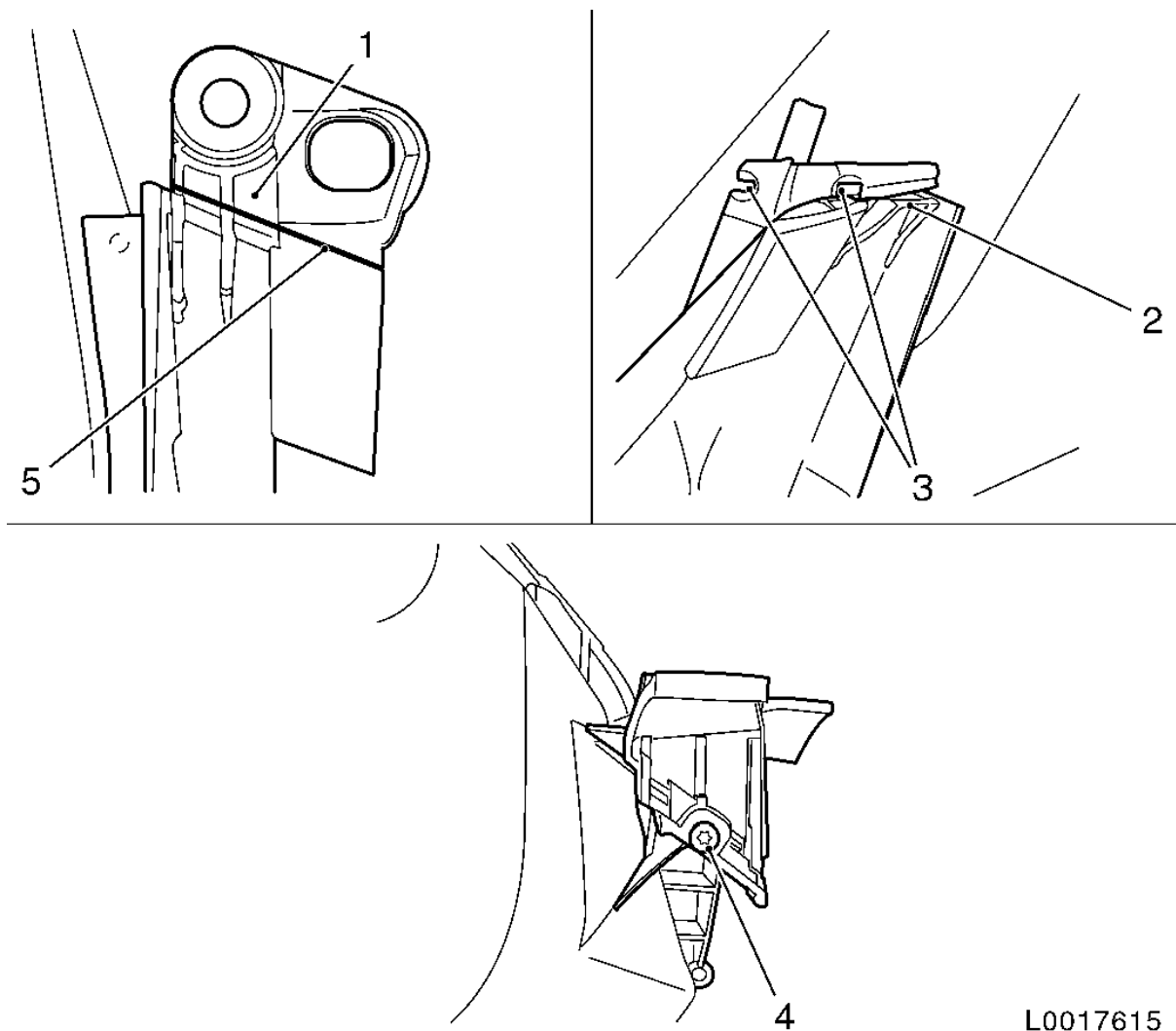
Install

3. Remove upper headlamp bracket (1)
 - Cut off bracket at preset breaking point (4)
 - Note:** Ensure that the threaded areas (2) are not damaged
 - Deburr edges
 - attach new bracket
 - Tighten 2x bolt (3)



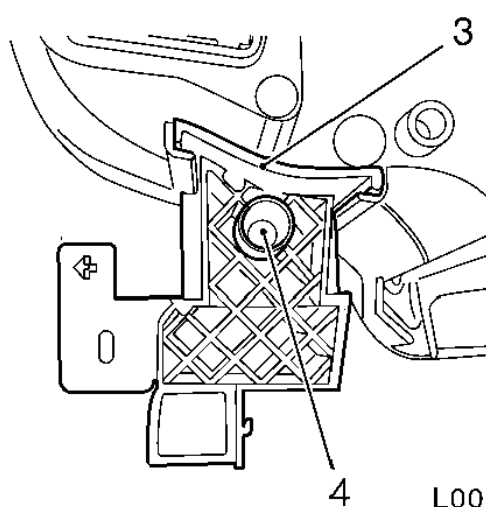
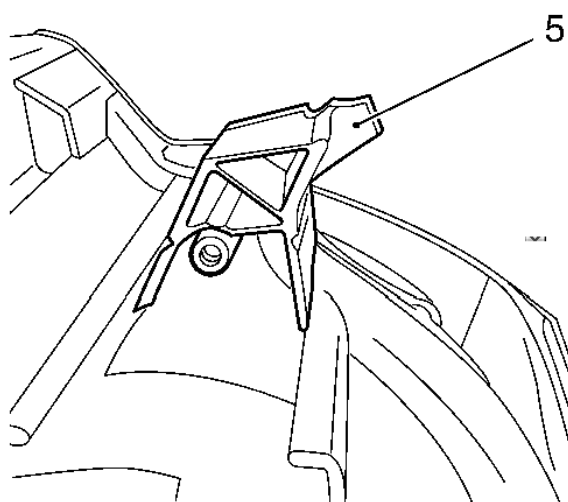
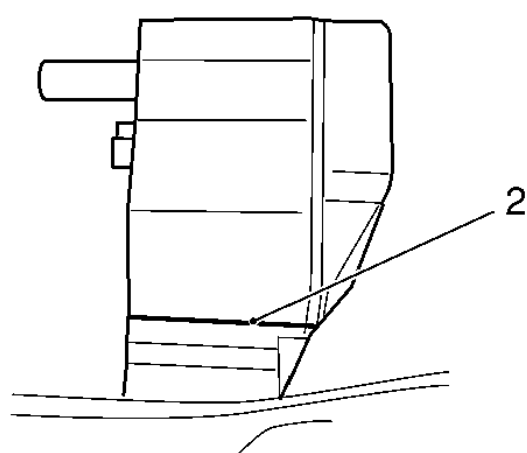
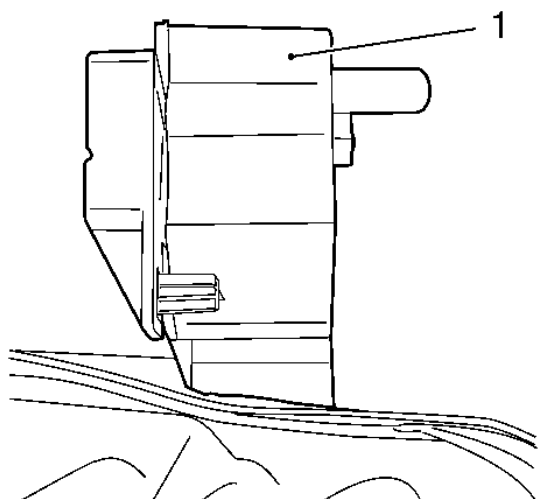
L0017614

4. Replace headlamp centre bracket (1)
- Cut off bracket at preset breaking point (5) as shown in item (2)
 - **Note:** Ensure that the eyes (3) are not damaged.
 - Deburr edges
 - attach new bracket
 - Insert bracket in eyes
 - Tighten bolt (4)



L0017615

5. Replace lower headlamp bracket (1)
 - Cut off bracket at preset breaking point (2) as shown in item (5)
 - Deburr edges
 - attach new bracket
 - Insert bracket in rail (3)
 - Tighten bolt (4)



L0017616

6. Install right headlamp
 - Tighten 3x bolt
 - Connect and lock wiring harness plug
7. Install front panelling
8. Adjust headlamp